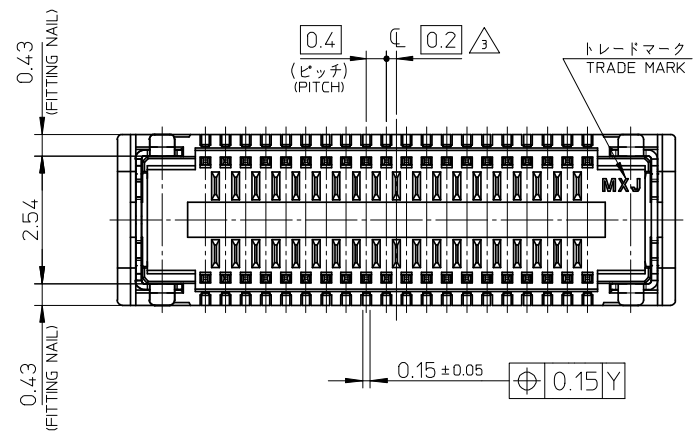
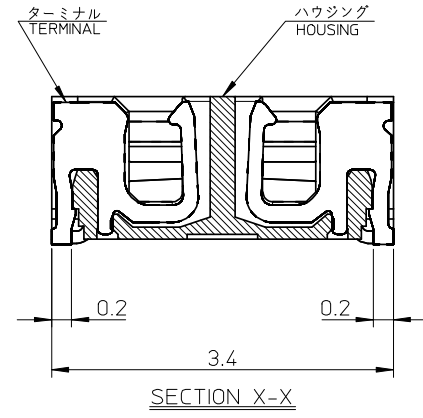
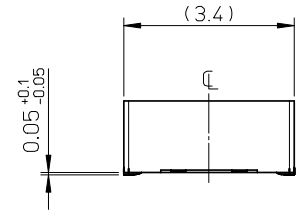
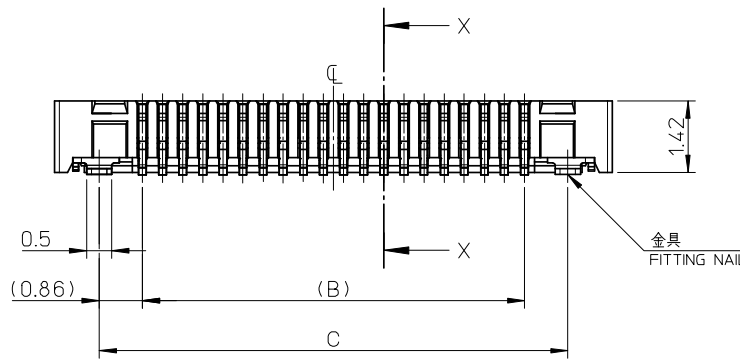
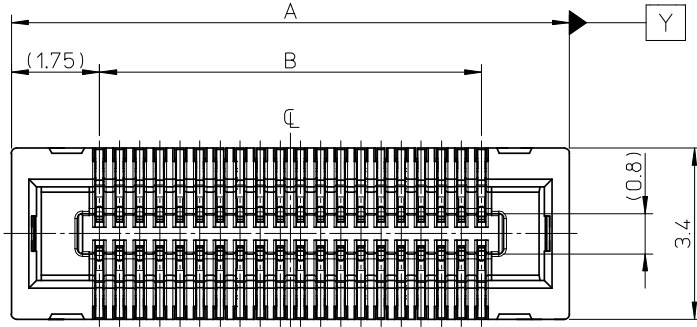


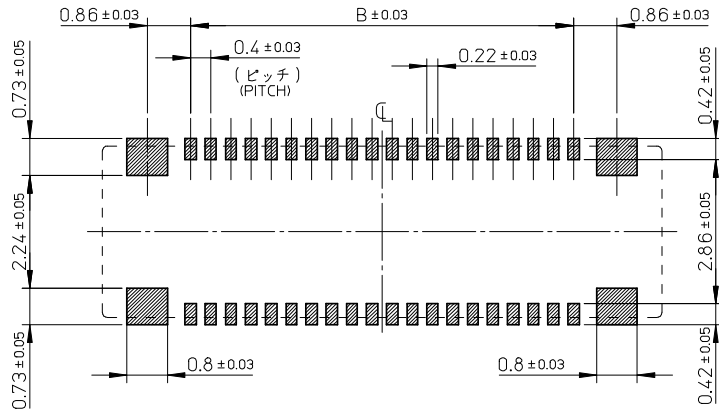
10 9 8 7 6 5 4 3 2 1



13.32	11.6	15.1	501635-0610	501635-0619	60
11.32	9.6	13.1	501635-0510	501635-0519	50
9.32	7.6	11.1	501635-0410	501635-0419	40
7.32	5.6	9.1	501635-0310	501635-0319	30
C	B	A	EMBOSSED TAPE	MATERIAL No.	CKT.
			ORDER No.		

MODEL No. : 501635-**19

REVISED EC NO: J2009-0386 DRWN:YA0YAGI 2008/08/20 CHKD:HYAJIMA 2008/08/20 APPR:NUKITA 2008/08/20	DESCRIPTION	GENERAL TOLERANCES (UNLESS SPECIFIED)		DIMENSION STYLE	SCALE	DESIGN UNITS	THIRD ANGLE PROJECTION	
				MM ONLY	10:1	METRIC		
		10 UNDER	± 0.2	DRAWN BY	DATE	TITLE		
		10 OVER 30 UNDER	± 0.25	RTAKEUCH	2005/10/27	0.4 B-TO-B CONN. HGT=1.7 REC HSG ASSY		
30 OVER	± 0.3	THIRATA	2005/10/27					
		ANGULAR	± 3 °	APPROVED BY	DATE	MOLEX INCORPORATED		
		DRAFT WHERE APPLICABLE MUST REMAIN WITHIN DIMENSIONS		MSASAO	2005/10/27	DOCUMENT NO.	SHEET NO.	
				MATERIAL NO.	SEE TABLE	SD-501635-001	1 OF 2	
				SIZE	THIS DRAWING CONTAINS INFORMATION THAT IS PROPRIETARY TO MOLEX INCORPORATED AND SHOULD NOT BE USED WITHOUT WRITTEN PERMISSION			
				A3				



参考基板レイアウト (マウント面)
P.C.BOARD PATTERN DIMENSION. (REFERENCE)
(MOUNTING AREA)

注記 NOTES

1. 使用材料 MATERIAL

ハウジング: 液晶ポリマー (LCP) ガラス充填 UL94V-0 (黒)
HOUSING: LIQUID CRYSTAL POLYMER (GLASS FILLED) UL94V-0 (COLOR: BLACK)

ターミナル: りん青銅 (t=0.15)
TERMINAL: PHOSPHOR BRONZE (t=0.15)

金具: コルソン銅 (t=0.12)
FITTING NAIL: CORSON TYPE COPPER ALLOY (t=0.12)

2. メッキ仕様 PLATING

ターミナル TERMINAL

金メッキ 0.2 マイクロメートル以上 (コンタクト部)
GOLD 0.2 MICROMETER MINIMUM (CONTACT AREA)

金メッキ 0.4 マイクロメートル以下 (テール部)
GOLD 0.4 MICROMETER MAXIMUM (TAIL AREA)

下地メッキ: ニッケルメッキ 1.5 マイクロメートル以上
UNDER PLATING: NICKEL 1.5 MICROMETER MINIMUM

※コンタクト部とテール部はニッケルメッキによって分断されている金メッキです。
DIVIDE INTO PARTS THE GOLD PLATING OF THE CONTACT AND THE TAIL PART BY THE NICKEL PLATING.

金具 FITTING NAIL

半田付け処理 (金 : パラジウムコート)
SOLDERABILITY IMPROVEMENT COAT (Au & Pd-Ni COAT)

下地メッキ: ニッケルメッキ 1.0 マイクロメートル以上
UNDER PLATING: NICKEL 1.0 MICROMETER MINIMUM

△ (全板数 / 2) = 偶数の場合に適用。
APPLY FOR (CIRCUIT / 2) = EVEN.

4. 嵌合相手: 501639 シリーズ
MATE WITH: 501639 SERIES.

5. テール平坦度は、0.08 以下

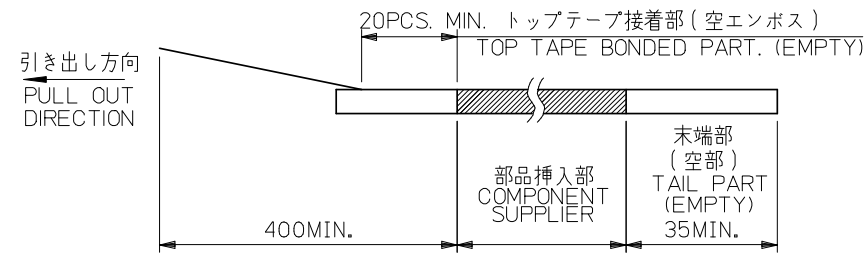
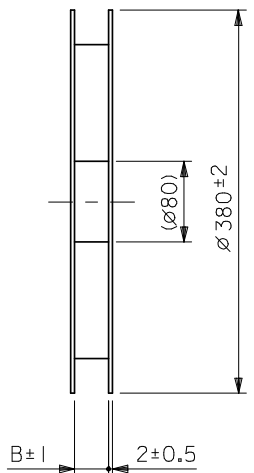
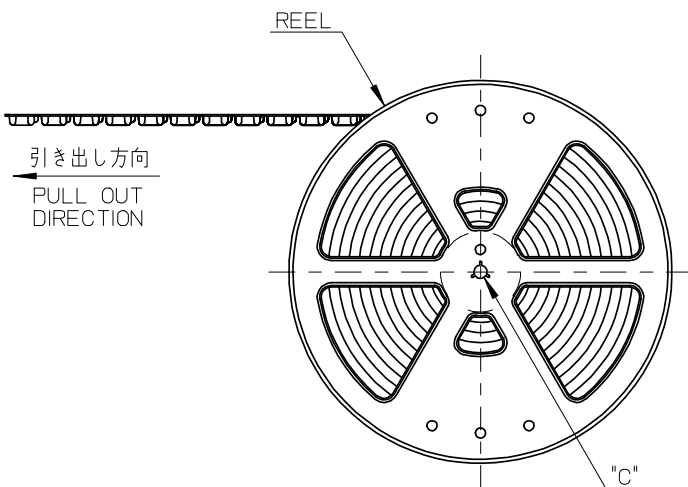
テール及び金具の平坦度は、0.1 以下
TAIL COPLANARITY TO BE 0.08 MAXIMUM.
TAIL AND FITTING NAIL COPLANARITY TO BE 0.1 MAXIMUM.

6. ELV AND RoHS COMPLIANT.

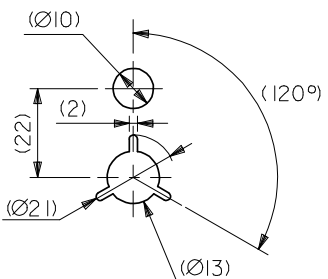
REVISED EC NO: J2009-0386 DRWN: YAGI CHKD: HAJIMA APPR: NUKITA	DESCRIPTION REV	GENERAL TOLERANCES (UNLESS SPECIFIED)		DIMENSION STYLE MM ONLY		SCALE 10:1	DESIGN UNITS METRIC	THIRD ANGLE PROJECTION	
		10 UNDER	±0.2	DRAWN BY RTAKEUCH	DATE 2005/10/27	TITLE 0.4 B-TO-B CONN. HGT=1.7 REC HSG ASSY			
		10 OVER 30 UNDER	±0.25	CHECKED BY THIRATA	DATE 2005/10/27				
		30 OVER	±0.3	APPROVED BY MSASAO	DATE 2005/10/27	MOLEX INCORPORATED DOCUMENT NO. SD-501635-001 SHEET NO. 2 OF 2			
ANGULAR ±3 °		MATERIAL NO. SEE SHEET 1							
DRAFT WHERE APPLICABLE MUST REMAIN WITHIN DIMENSIONS		THIS DRAWING CONTAINS INFORMATION THAT IS PROPRIETARY TO MOLEX INCORPORATED AND SHOULD NOT BE USED WITHOUT WRITTEN PERMISSION							

注記 NOTES

- 製品詳細寸法については製品単体図面を参照下さい。
RE DETAILED DIMENSION, SEE PRODUCT DRAWING.
- 梱包数量: 5000 個/リール
NUMBER OF CONNECTORS : 5000PCS/REEL
- リードテープ長さ LEAD TAPE LENGTH

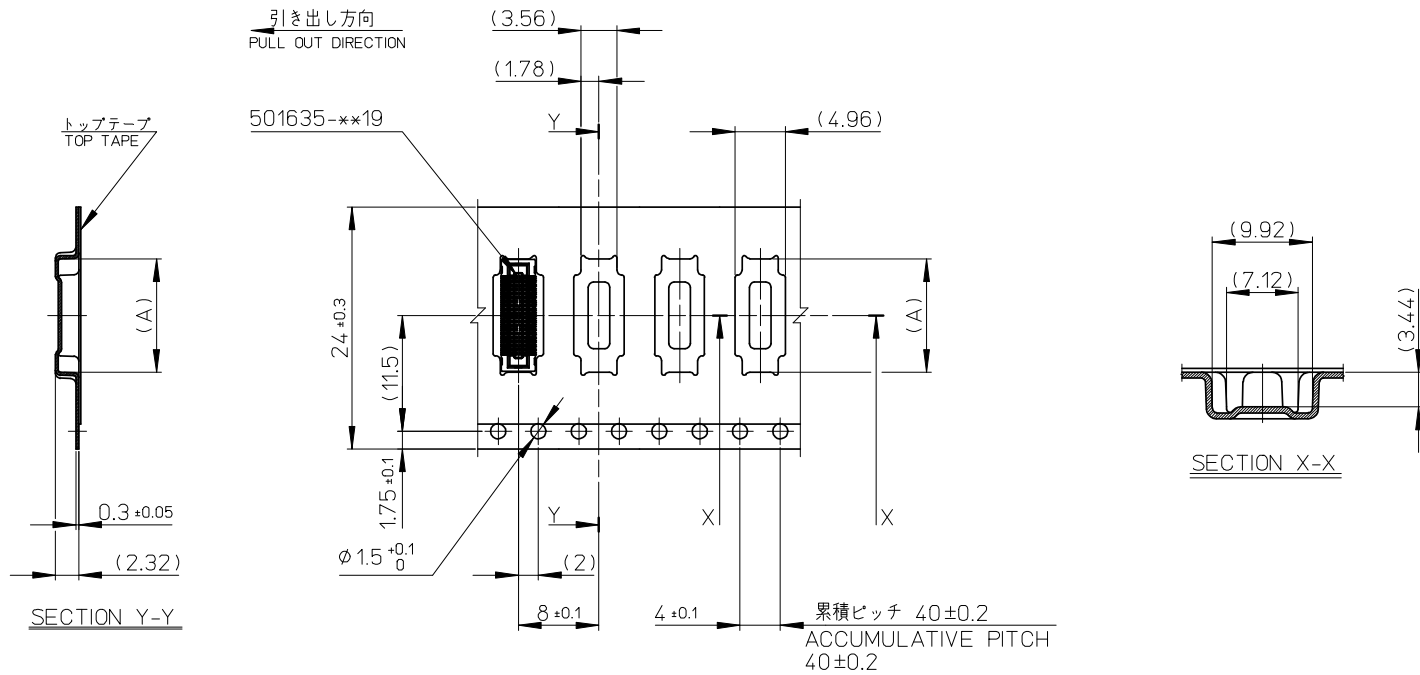


- 材料 MATERIAL
 キャリアテープ (CARRIER TAPE): ポリスチレン (POLYSTYRENE)
 トップテープ (TOP TAPE): PET, PE, PEF
 リール (REEL): ポリスチレン (PS) <リサイクル材を含む>
 POLYSTYRENE (PS) <RECYCLE MATERIAL CONTAINED>
- ELV AND RoHS COMPLIANT.



DETAIL "C"

REVISED EC NO: J2009-0386 DRWN: YAGI 2008/08/20 CHKD: HAJIMA 2008/08/20 APPR: NUKITA 2008/08/20	GENERAL TOLERANCES (UNLESS SPECIFIED)		DIMENSION STYLE MM ONLY	SCALE ---	DESIGN UNITS METRIC	MODEL NO. 501635-**10	THIRD ANGLE PROJECTION
	10 UNDER	±---	DRAWN BY RTAKEUCHI	DATE 2005/10/27	TITLE 0.4 B-TO-B CONN. HGT=1.7 REC ASSY EMBSTP PKG		
	10 OVER 30 UNDER	±---	CHECKED BY THIRATA	DATE 2005/10/27	MATERIAL NO. SEE SHEET 2		
	30 OVER	±---	APPROVED BY MSASAO	DATE 2005/10/27	DOCUMENT NO. SD-501635-002		
REV	DESCRIPTION	ANGULAR ±---°	DRAFT WHERE APPLICABLE MUST REMAIN WITHIN DIMENSIONS		SHEET NO. 1 OF 2		



24mm幅キャリアテープ
24mm WIDTH CARRIER TAPE

24	25.5	15.26	501635-0610	60
		13.26	501635-0510	50
		11.26	501635-0410	40
		9.26	501635-0310	30
キャリアテープ幅 CARRIER TAPE WIDTH	B	(A)	MATERIAL No.	CKT.
			MODEL No.	501635-**10

REVISED EC NO.: J2009-0386 DRWN: YAGI CHKD: HYAJIMA APPR: NUKITA	DESCRIPTION 2008/08/20 2008/08/20 2008/08/20	GENERAL TOLERANCES (UNLESS SPECIFIED)		DIMENSION STYLE MM ONLY		SCALE ---	DESIGN UNITS METRIC	THIRD ANGLE PROJECTION	
		10 UNDER	±---	DRAWN BY RTAKEUCHI	DATE 2005/10/27	TITLE 0.4 B-T0-B CONN. HGT=1.7 REC ASSY EMBSTP PKG			
		10 OVER 30 UNDER	±---	CHECKED BY THIRATA	DATE 2005/10/27	APPROVED BY MSASAO			
		30 OVER	±---	DATE 2005/10/27	MATERIAL NO. SEE TABLE				
ANGULAR ±---°		DRAFT WHERE APPLICABLE MUST REMAIN WITHIN DIMENSIONS		DOCUMENT NO. SD-501635-002		SHEET NO. 2 OF 2			
SIZE A3		THIS DRAWING CONTAINS INFORMATION THAT IS PROPRIETARY TO MOLEX INCORPORATED AND SHOULD NOT BE USED WITHOUT WRITTEN PERMISSION							